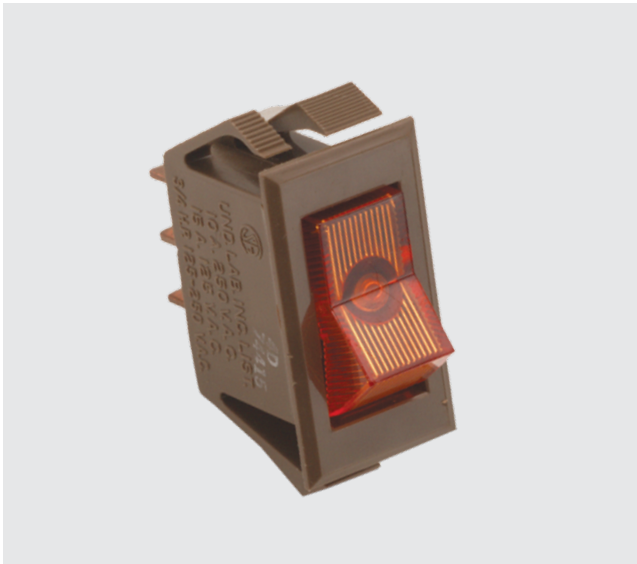


LTA-Series

SINGLE POLE LIGHTED ROCKER SWITCHES

The illuminated predecessor to the Curvette series whose versatility has allowed it to stand the test of time. Traditional styling coupled with self cleaning contacts, integrated wire leads, and various actuator choices has made the LTA-Series appeal to a wide range of markets.



Product Highlights:

- Neon or Incandescent Illumination
- Long Paddle, Short Paddle or Rocker Actuators
- Good for 125/250VAC or Low Voltage DC Applications
- Integrated Wire Lead Construction

Typical Applications:

- Appliance
- HVAC
- Food Service
- Transportation



Dielectric Strength

UL/CSA:
1000V - live to dead metal parts
750V - across open contacts

Electrical Life

100,000 cycles

Operating Temperature

32°F to 185°F (0°C to 85°C)

LTA201 - P R - B -A / 125N

1 Base Part Number 2 Actuator Style 3 Actuator Color 4 Bezel Color/Style 5 Lens Color 6 Lamp Voltage

1 BASE PART NUMBER: SERIES / CIRCUITRY / RATING¹ / TERMINATION
10A 250VAC; 15A 125VAC; 3/4 HP 125-250VAC
 OFF-NONE-ON Solder Lugs .250 Tabs .187 Tabs Wire Leads
LTA200 LTA201 LTA203 LTA205

4 BEZEL COLOR¹
B Black **W** White

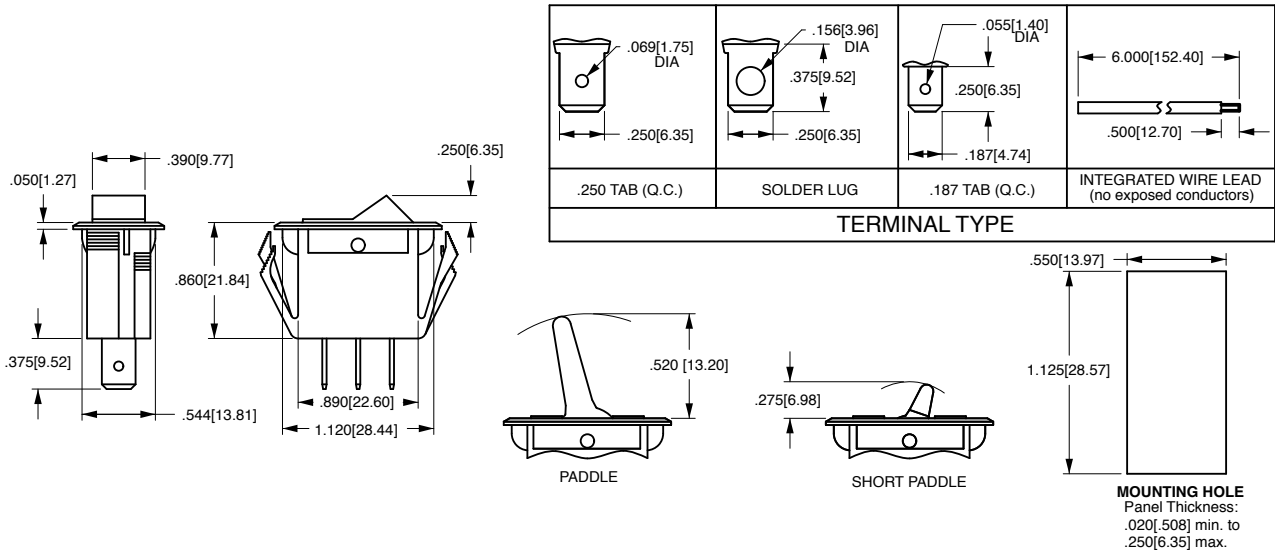
2 ACTUATOR STYLE³
T Rocker **PS** Short Paddle
P Paddle

5 LENS COLOR^{2,3}
Blank No Lens **-G** Green
-A Amber **-R** Red
-C Clear **-LU** Blue

3 ACTUATOR COLOR¹
A Amber **B** Black⁴
C Clear **W** White⁴
R Red
G Green²

6 LAMP VOLTAGE²
006V 6V incandescent **024V** 24V incandescent
012V 12V incandescent **125N** 125V neon
018V 18V incandescent **250N** 250V neon

Notes:
 1 Additional ratings and colors are available. Consult factory for details.
 2 Neon lamps not recommended with green or blue rocker/lenses.
 3 Lens color is specified only if actuator style is P or PS. If style is T (rocker), then leave position 5 blank.
 4 Available with paddle ("P & PS") style actuators only.



*Manufacturer reserves the right to change product specification without prior notice.